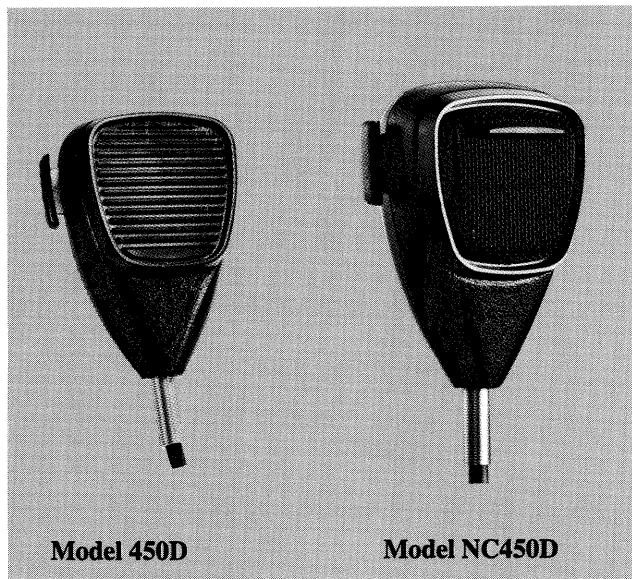


Telex[®] Technical Data

Models 450D & NC450D Dynamic Microphones



Model 450D

Model NC450D

General Description

Telex Models 450D and NC450D Dynamic Microphones are designed for voice-paging applications requiring a rugged hand-held microphone.

The 450D is a low-impedance, balanced-line dynamic microphone that provides smooth, peak-free response and trouble-free performance. The rugged design makes it particularly effective for use in busy environments (e.g. manufacturing and restaurants) where excellent voice response characteristics in a microphone are required.

The NC450D is a noise canceling design that makes it particularly effective for use in noisy locations, and the excellent voice response characteristics make it a good choice in quiet areas as well.

Design Features

The NC450D microphone contains a shock-mounted dynamic, differential type cartridge which discriminates and cancels distant sounds and noise in favor of voice inputs spoken close to the microphone. The 450D features a standard omnidirectional shock-mounted dynamic cartridge. Output impedance on both models is 200 ohms for matching low impedance input circuits. A push-to-talk switch is located on the microphone housing. The black microphone housings are constructed of molded ABS plastic, which will withstand the day-to-day abuse of hand-held mobile microphone applications. The NC450D includes a soft rubber lip guard which assures the user of correct microphone-to-mouth positioning.

NOTE

Always talk close to the microphone, with the edge of the lip guard just touching the upper lip. This is important because the noise-canceling feature accepts close sounds best and discriminates against sounds greater than 1/2-inch (12 mm) away.

The units are equipped with an unterminated black neoprene coil cord which is relieved at the housing by a spring-type strain relief. In addition, the microphones are equipped with a hanger button, and supplied with standard dashboard mounting bracket and hardware.

Specifications

Type:

NC450D: Noise-canceling dynamic
450D: Dynamic, omnidirectional

Response: 100 Hz to 8 kHz

Output Level at 1 kHz:

NC450D: Open Circuit: -85 dB (ref: 0 dB = 1V/ μ bar)
Power Level: -64 dB (ref: 0 dB = 1 mW/10 μ bar)
450D: Open Circuit: -79 dB (ref: 0 dB = 1V/ μ bar)
Power Level: -58 dB (ref: 0 dB = 1 mW/10 μ bar)
EIA Sensitivity: -151 dB

Impedance: 200 ohms

Switch: Two-position momentary slide. Normally open microphone contacts.

Cable: Unterminated, four-conductor, two shielded, black neoprene, coiled cord. 12 inches (304 mm) retracted, 6 feet (1.8 m) extended.

Color: Black, pebble-grain finish.

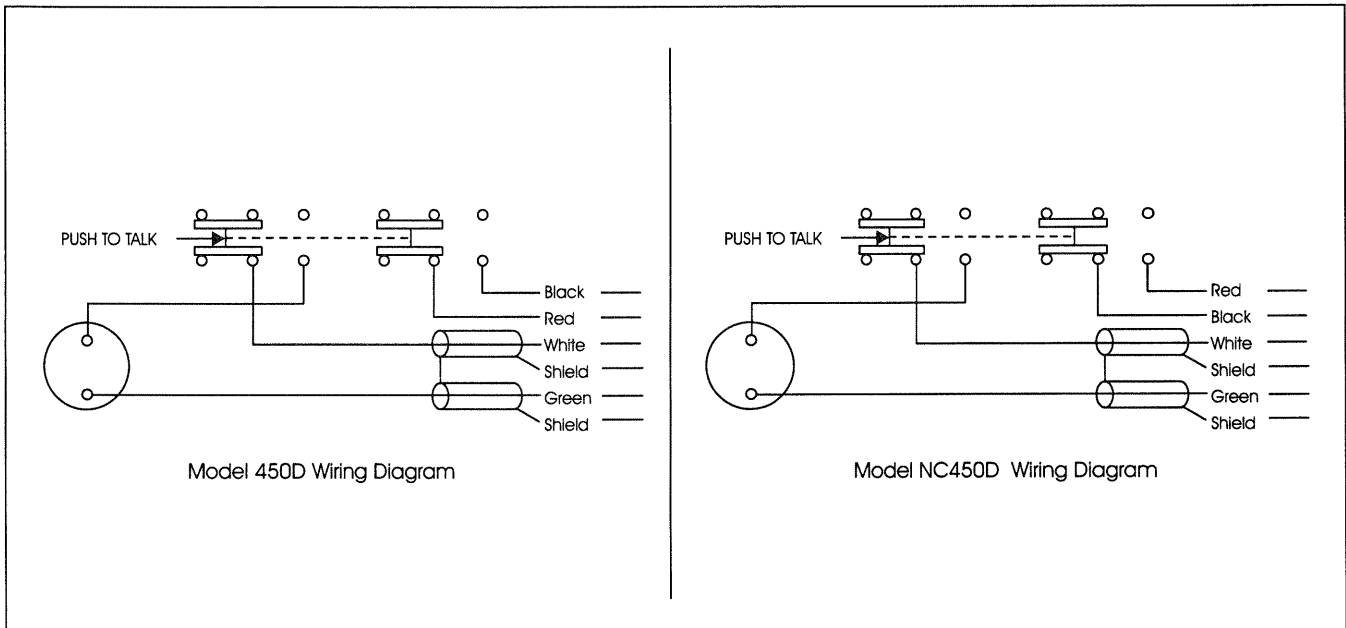
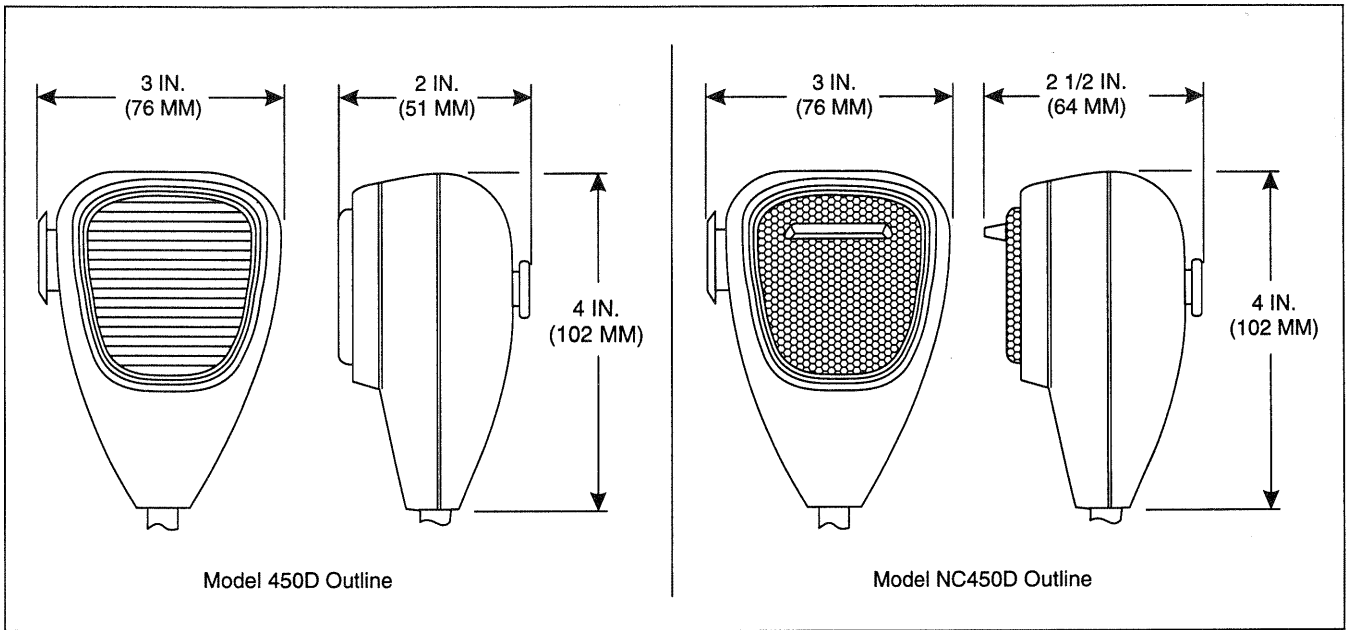
Hanger Bracket: Nickel-plated spring steel

Weight: 9 ounces (225 g)

© Telex Communications, Inc.: December 1995

TELEX[®]

Specifications subject to change without notice.



Ordering Information

Model 450D	Catalog No. 47000
Model NC450D	Catalog No. 47005
Replacement Hanger with Hardware	Catalog No. 02506
Replacement Element	Catalog No. 02189

